



HP70-400 68T Prime Mover

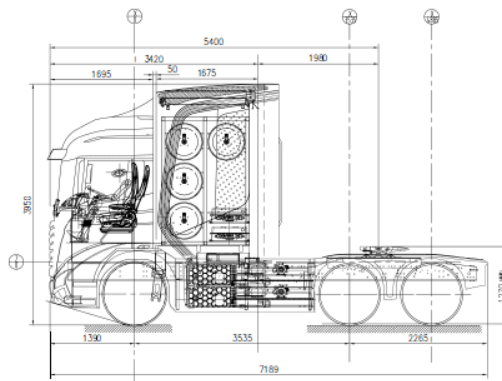


Internal layout



HP70-400 specifications

Basic Parameters	Model	HP70-400
	Fuel	Hydrogen
	LHD or RHD	RHD
	Passenger Capacity	1 Driver / 1 Passenger
	Dimension (L*W*H, mm)	7189 × 2500 × 3950
	GCM (kg)	68,000
	Tare (kg)	13,500 (TBD)
	Approach/Departure angle (degrees)	16/38
	Min. Turning Diameter (m)	≤16.5
	Max. Grade (% , 1 min)	30%
	Continuous Max. Grade (%)	15%
	Top Speed (km/h)	100
Range	≥400km	



HP70-400 specifications continued

	Description	Standard	Component Brand
Power System	Traction Battery	73.57 kWh	✓ CATL
	Hydrogen Fuel Cell	400kW	✓ Ballard
	Drive Motor	TM4	✓ Dana
	Controller	TM4	✓ Dana
	Hydrogen Tanks	700BAR (350BAR Optional)	✓ Hexagon
	Air Compressor	Electronic air compressor	✓ Piston Type HV
	Steering Pump	Electric steering pump	✓
Chassis	Suspension	Air suspension	✓ Hendrickson
	ECAS	WABCO	✓ WABCO
	Front Axle (1)	Disc brake – Steer axle	✓ ZF
	Rear Axle (2)	Disc brake – Drive axle	✓ Dana
	Rear Axle (3)	Disc brake – Drive axle	✓ Dana
	Tire	295/80R22.5	✓ Michelin
	Rim	22.5x8.25	✓ Aluminum
	Steering System	Hydraulic power steering	✓ ZF / Bosch
	Braking system	ABS braking system	✓ WABCO
Safety and Electrics	ADAS	Lane departure warning system	
	Dashboard	ACTIA	✓ ACTIA
	Camera System	Reversing cameras and buzzer	✓
	Exterior Lamps	LED	✓
	LV Battery	24V maintenance free	✓
	A/C	Cooling and heating A/C	✓
	Floor heater	Driver's area heating	N/A
	Fire Extinguisher	HV compartment	✓
Demister	Heated	✓	
Body	Body Structure	Monocoque structure, European stainless steel	✓
	Body Style	Prime Mover – Cab Over	✓
	Wheelchair Ramp		N/A
	Side Window	Electric	✓
	Floor Mats		✓
	Floor	Vinyl	✓
	Destination Sign		N/A
	Rear-view Mirror	Camera mirrors	✓ AngeTraxx
	Front Service Door		N/A
	Middle Service Door		N/A
	Driver Seat	Air ride driver's seat with seatbelt	✓
	Passenger Seat	Standard fixed seat	✓
	USB ports	In dash	Optional

