

T30-H-AGI

Rigid truck

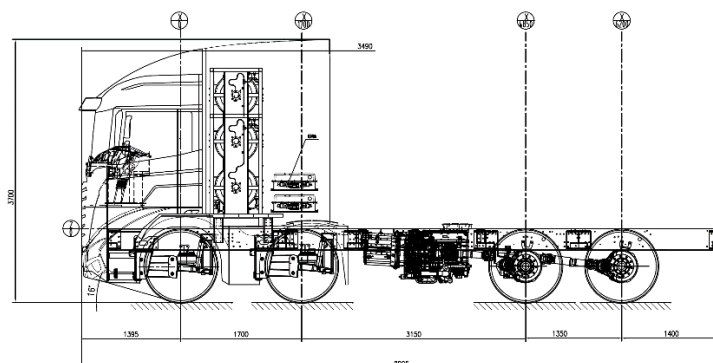


Internal layout



T30-H-AGI specifications

Basic Parameters	Model	T30-H-AGI
	Fuel	Hydrogen
	LHD or RHD	RHD / LHD or Dual
	Axle Configuration	8x4
	Dimension (L*W*H, mm)	8995 × 2500 × 3700
	GVM (kg)	30,000
	Tare (kg)	9,400kg
	Approach/Departure angle (degrees)	16 / Dependent upon body
	Min. Turning Diameter (m)	TBD
	Max. Grade (% , 1 min)	28%
	Continuous Max. Grade (%)	11% (over 15km/h)
	Top Speed (km/h)	100 (Programmable for Max)
Range	>200km	



T30-H-AGI specifications continued

	Description	Standard	Component Brand
Power System	Traction Battery	58 kWh	✓ CATL
	Hydrogen Fuel Cell	110kW	✓ Ballard
	Drive Motor	TM4	✓ Dana
	Controller	TM4	✓ Dana
	Hydrogen Tanks	700 BAR – 1x364L (14.6kg)	✓
	Air Compressor	Electronic air compressor	✓
	Steering Pump	Electric steering pump	✓
	Chassis	Suspension	Air suspension
ECAS		WABCO	✓ WABCO
Front Axle (1)		Disc brake – Steer axle	✓ Hendrickson
Rear Axle (2)		Disc brake – Drive Axle	✓ Hendrickson/Spicer
Rear Axle (3)		Disc brake – E-Axle – 3spd	✓ Hendrickson/Spicer
Tire		295/80R22.5	✓
Rim		22.5x8.25 (alloy)	✓
Steering System		Hydraulic power steering	✓ ZF / Bosch
Braking system		ABS braking system	✓
Safety and Electrics	ADAS	Lane departure warning system	Optional Mobile Eye
	Dashboard	ACTIA	✓ ACTIA
	Camera System	Reversing cameras and buzzer	✓
	Exterior Lamps	All lamps excluding headlamps	✓ LED
	LV Battery	24V maintenance free	✓
	A/C	Cooling and heating A/C	✓
	Floor heater	Driver's area heating	N/A
	Fire Extinguisher	HV compartment	✓
	Demister	PTC heater	✓
	Body	Body Structure	Cab Chassis
Body Style		T Series – New Energy style	✓
Wheelchair Ramp			N/A
Floor Mats		XPE	✓
Floor		PVC	✓
Destination Sign			N/A
Rear-view Mirror		Electric mirrors	Optional
Front Service Door			N/A
Middle Service Door			N/A
Driver Seat		Air ride driver's seat with seatbelt	✓
Passenger Seat		Standard fixed seat	✓
USB ports			Optional

Note – Schematics may be based upon higher spec vehicles. Please Consult with a salesperson.

